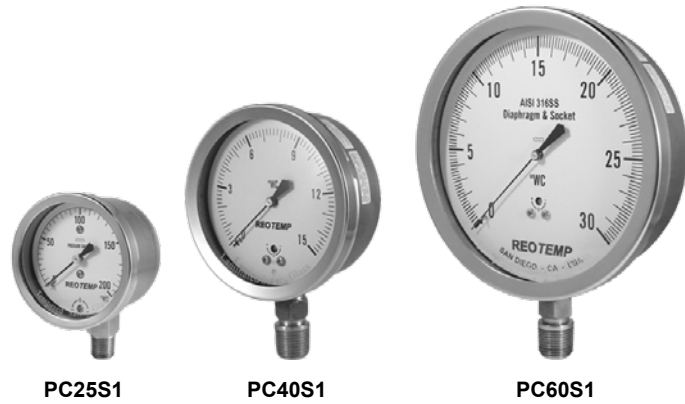


## ALL STAINLESS STEEL LOW PRESSURE GAUGE

PRESSURE GAUGES

REOTEMP's Series PC low pressure gauges offer accurate and reliable measurements of gaseous media. Offered with stainless steel internals, the Series PC is designed to withstand corrosive media and ensure a long-lasting instrument.



Dials



Custom Logo



Diaphragm Seal  
Compatible

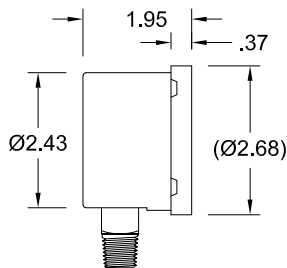
### FEATURES / BENEFITS

- Sensitive Diaphragm/Capsule Mechanism
- All-Welded 316 Stainless Steel Capsule and Socket
- Easy-Access Zero Reset Screw on Dial

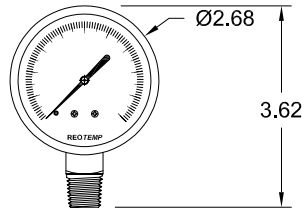


### SPECIFICATIONS

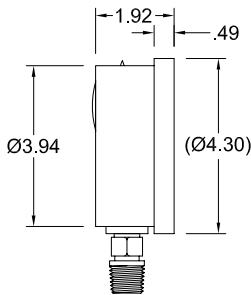
<b>Accuracy</b>	2 - 1.6 - 2%
<b>Ambient Limits</b>	-40°F/150°F
<b>Process Limits</b>	-40°F/200°F
<b>Process Limits with Diaphragm Seal</b>	-60°F/350°F (Direct Mount)* -110°F/750°F (Remote Mount or Cooling Tower)* *Exact limits depend on diaphragm seal and fill fluids.
<b>Wetted Materials</b>	Capsule: 316LSS Socket: 316SS
<b>Lens</b>	Tempered Safety Glass (Standard), Plastic or Laminated Safety Glass
<b>Other Materials</b>	Case: 304SS Ring: 304SS, Bayonet Twist-Off Dial: White Aluminum, Black Letters Case-to-Socket: Screw Connection, Vented Case
<b>Fillable</b>	No
<b>Restrictor Screw</b>	Yes
<b>Maximum Working Pressure</b>	Stable = 100% Momentary = 130% of scale
<b>Weight</b>	2.5" = 0.5 lbs 4" = 1.1 lbs 6" = 2.1 lbs



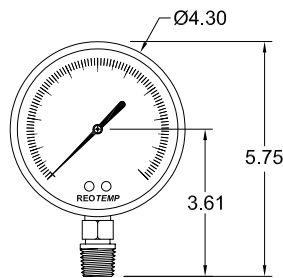
**PC25S1**



\*dimensions in inches



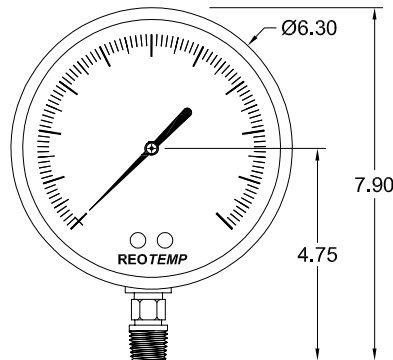
**PC40S1**



\*dimensions in inches



**PC60S1**



\*dimensions in inches

## ALL STAINLESS STEEL LOW PRESSURE GAUGE

PRESSURE GAUGES



Visit [reotemp.com](http://reotemp.com)

- ✓ Check Stock
- ✓ Get Price
- ✓ Configure Part #
- ✓ Download PDF Data Sheets

**HOW TO ORDER:** Choose options to build a part number. For example: **PC40S1A2P52-D-T-HV**

PC40	S	1	A	2	P52	-D	-T	-HV
DIAL SIZE	CASE TYPE	CAPSULE & SOCKET	MOUNT TYPE	CONNECTION	RANGE CODE	CASE FILL	LENS	OPTIONS
PC25 = 2.5"	S = 304SS Case & Bezel w/ Removable Bayonet, Zero Correction on Dial	1 = 316SS	<b>A</b> =  Bottom <b>B</b> =  Bottom/Rear Flange <b>*C</b> =  Center Back <b>*D</b> =  Center Back "U" Clamp <b>*E</b> =  Center Back/Front Flange	4 = 1/4" NPT	<b>Common Ranges</b> <b>P50</b> = 0-10 in H <sub>2</sub> O <b>P51</b> = 0-15 in H <sub>2</sub> O <b>P52</b> = 0-30 in H <sub>2</sub> O <b>P53</b> = 0-60 in H <sub>2</sub> O <b>P54</b> = 0-100 in H <sub>2</sub> O <b>P55</b> = 0-160 in H <sub>2</sub> O <b>P56</b> = 0-200 in H <sub>2</sub> O  <b>Available Ranges</b> ■ 10" to 300" Water Column ■ Gauge Pressure, Vacuum, or Compound  <b>Standard Units</b> ■ in H <sub>2</sub> O  <b>Available Units</b> ■ kPa            ■ inHg ■ mbar          ■ mmHg ■ psi            ■ oz/in <sup>2</sup> ■ mmH <sub>2</sub> O      ■ & more	-D = Dry  <i>Case is not fillable.</i>	-T = Tempered Safety Glass (Standard) -P = Plastic -S = Laminated Safety Glass	-HV = Hi-Vis™ Dial -OX = Cleaned for O <sub>2</sub> Service -C3 = 3 pt. Calibration Certificate -TS = Stainless Steel Tag -NC = NACE Compliance Certificate -PM = Positive Material Identification Certification -R5 = 1.5% Full Scale Accuracy (Not Available on Compound Ranges)
PC40 = 4" PC60 = 6"			<b>A</b> =  Bottom <b>B</b> =  Bottom/Rear Flange <b>*C</b> =  Lower Back <b>*E</b> =  Lower Back/Front Flange	4 = 1/4" NPT 2 = 1/2" NPT	<b>Available Units</b> ■ kPa            ■ inHg ■ mbar          ■ mmHg ■ psi            ■ oz/in <sup>2</sup> ■ mmH <sub>2</sub> O      ■ & more  <i>For Additional Range Codes See Page 46</i>			

\*Non-standard configuration

### Diaphragm Seal Suitability Guide

Low pressure capsule gauges are very sensitive and require diaphragm seals with high sensitivity and high fluid displacement. If a diaphragm seal is required to isolate the process fluid from the pressure gauge, the following seal model types are available for the Series PC.

#### Diaphragm Seal Model

High Displacement



		Total Gauge Span* (in H <sub>2</sub> O)									
		10"	15"	20"	30"	40"	60"	100"	160"	200"	300"
High Displacement	W6	X	X	X	X	X	X	S	S	T	T
	W7	X	X	X	S	S	T	T	T		
	V5	X	S	S	T	T	T	T	T		
	T6	X	X	X	X	X	S	S	S	S	S

\*Total gauge span is additive of negative and positive pressures.

Example: -15 - 0 - 30 psi = 45 psi span

- Assembly will function correctly with minimal accuracy degradation.
- T Assembly will function correctly given stable temperature.
- S Assembly is highly sensitive to orientation and temperature variance. REOTEMP cannot guarantee a stated accuracy.
- X Assembly will not work. The diaphragm does not displace enough fill fluid to drive the pressure gauge.

## PRESSURE GAUGE RANGES AND CODES

PRESSURE GAUGES

### SPECIAL RANGE TYPES

Receiver Ranges			Refrigerant Ranges			Tank Level Ranges	
Code	Element	Dial Range	Code	Dial Range	Refrigerant	Code	Range
P60	3-15 psi	0-100%	N06	-30inHg to 160 psi	Ammonia	F14	0-24ft H <sub>2</sub> O
P61	3-15 psi	0-10 sq rt	R06	-30inHg to 160 psi	R134A	F15	0-30ft H <sub>2</sub> O
P62	3-15 psi	0-100% & 0-10 sq.rt.	R06A	-30inHg to 160 psi	R22	F15C	0-40ft H <sub>2</sub> O
			R06C	-30inHg to 160 psi	R404A	F16	0-60ft H <sub>2</sub> O
			N07	-30inHg to 200 psi	Ammonia	F165	0-100ft H <sub>2</sub> O
			N08	-30inHg to 300 psi	Ammonia		

### LOW PRESSURE RANGES (PC SERIES ONLY)

Low Pressure Ranges									
inH <sub>2</sub> O		oz/in <sup>2</sup>		inH <sub>2</sub> O & oz/in <sup>2</sup>		mbar		psi	
Code	Range	Code	Range	Code	Range	Code	Range	Code	Range
P50	0-10 inH <sub>2</sub> O	Z50	0-6 oz/in <sup>2</sup>	Q50Z	0-10 inH <sub>2</sub> O & 0-6 oz/in <sup>2</sup>				
P51	0-15	Z51	0-8			M51	0-40 mbar		
P49	0-20	Z49	0-10	Q49C	0-20 & 0-12				
P515	0-25	Z52E	0-15						
P52	0-30			Q52N	0-30 & 0-18	M521	0-70	I52	0-1 psi
P525	0-40	Z52	0-20	Q525W	0-40 & 0-24	M525	0-100		
P53	0-60	Z53	0-30	Q53	0-60 & 0-35	M53F	0-150	I53	0-2
P54	0-100	Z54	0-60	Q54B	0-100 & 0-60	M54	0-250	I54	0-3
P55	0-160					M55	0-400	I55	0-5
P56	0-200	Z56	0-100	Q56C	0-200 & 0-115	M56	0-500	I56	0-7
Vacuum Ranges									
P88	-10-0 inH <sub>2</sub> O	Z88	-6-0 oz/in <sup>2</sup>	Q88	-10/0 inH <sub>2</sub> O & -6/0 oz/in <sup>2</sup>				
P90	-30-0	Z90	-20-0	Q90	-30/0 & -18/0	M905	-100-0 mbar	I90	-1-0 psi
P91	-60-0	Z91	-30-0	Q91	-60/0 & -35/0	M94	-200-0	I91	-2-0
P92	-100-0	Z92	-60-0	Q92	-100/0 & -60/0	M95	-400-0		
Compound Ranges									
P7A	-5/0/5 inH <sub>2</sub> O	Z7A	-3/0/3 oz/in <sup>2</sup>			M71	-20/0/20 mbar		
P70	-10/0/10			Q70C	-10/0/10 inH <sub>2</sub> O & -6/0/6 oz/in <sup>2</sup>	M72E	-30/0/30		
P71	-15/0/15					M72	-40/0/40		
P72	-20/0/20	Z72	-10/0/10	Q72C	-20/0/20 & -12/0/12			I73	-1-0-1 psi
P73	-30/0/30			Q73C	-30/0/30 & -18/0/18	M735	-100/0/100	I74	-2-0-2
P74	-60/0/60	Z745	-30/0/30					I55U	-3/0/3
P75	-100/0/100			Q75B	-100/0/100 & -60/0/60			P14C	-5/0/5

### DIFFERENTIAL PRESSURE RANGES (DP GAUGES ONLY)

psid		inH <sub>2</sub> O <sub>d</sub>		bard		mbard		kPad	
Code	Range	Code	Range	Code	Range	Code	Range	Code	Range
PD1	0-1 psid	ID10	0-10 inH <sub>2</sub> O <sub>d</sub>	BD1	0-1 bard	MD40	0-40 mbard	AD2.5	0-2.5 kPad
PD3	0-3	ID20	0-20	BD1.6	0-1.6	MD60	0-60	AD6	0-6
PD5	0-5	ID30	0-30	BD2.5	0-2.5	MD100	0-100	AD10	0-10
PD10	0-10	ID50	0-50	BD4	0-4	MD160	0-160	AD25	0-25
PD20	0-20	ID100	0-100	BD6	0-6	MD250	0-250	AD40	0-40
PD50	0-50	ID150	0-150	BD7	0-7	MD400	0-400	AD100	0-100
PD100	0-100	ID200	0-200	BD11	0-11	MD600	0-600	AD250	0-250
PD200	0-200	ID400	0-400	BD55	0-55	MD1000	0-1000	AD700	0-700
PD6000	0-6000			BD400	0-400				

## PRESSURE GAUGE OPTIONS

Part #	Description	Heavy-Duty Industrial Gauges				Process Gauges			Stainless Steel Case Industrial Gauges			Commercial Gauges		Low Pressure Capsule Gauges			Test Gauges
		PR25	PR35	PR40	PR60	PT45P	PT45T	PI45	PM	PG**C	PG**S	PD15/20/25	PD35/40	PC25N	PC25S	PC40/45/60	PL60/45
<b>CASE FILL OPTIONS</b>																	
-G	Glycerin Filled Case	✓	✓	✓	✓	✓	✓	N/A	✓	✓	✓	N/A	N/A	N/A	N/A	N/A	N/A
-W	Glycerin Water Filled Case (65/35)	✓	✓	✓	✓	✓	✓	N/A	✓	✓	✓	N/A	N/A	N/A	N/A	N/A	N/A
-S	Silicone Filled Case	✓	✓	✓	✓	✓	✓	N/A	✓	N/A	✓	N/A	N/A	N/A	N/A	N/A	N/A
-T	Teflon-coated Movement (No case fill)	✓	✓	✓	✓	✓	✓	✓	N/A	N/A	N/A	N/A	N/A	N/A	✓	✓	✓
-I	Inert Case Fill	✓	✓	✓	✓	✓	✓	N/A	N/A	N/A	N/A	N/A	N/A	N/A	N/A	N/A	N/A
<b>LENS OPTIONS</b>																	
-P	Plastic Lens	STD	✓	✓	✓	✓	✓	STD	STD	STD	✓	✓	MQ	✓	✓	✓	✓
-T	Tempered Safety Glass Lens	✓	STD	STD	STD	STD	STD	N/A	N/A	N/A	STD	N/A	N/A	N/A	STD	STD	STD
-S	Laminated Safety Glass Lens	✓	✓	✓	✓	✓	✓	N/A	N/A	N/A	✓	N/A	N/A	N/A	✓	✓	✓
-G	Plain Glass	N/A	N/A	N/A	N/A	N/A	N/A	N/A	MQ	MQ	N/A	MQ	STD	N/A	N/A	N/A	N/A
<b>POINTER OPTIONS</b>																	
-RP	Red Pointer	✓	✓	✓	✓	✓	✓	N/A	N/A	✓	N/A	N/A	N/A	✓	✓	✓	✓
-MP	Min/Max Pointer (Drag Hand)†	✓	N/A	✓	✓	✓	N/A	N/A	N/A	N/A	✓	N/A	N/A	N/A	N/A	N/A	N/A
-MQ	Min/Max Pointer (Tamper-proof)†	✓	N/A	✓	✓	✓	N/A	N/A	N/A	N/A	✓	N/A	N/A	N/A	N/A	N/A	N/A
-RH	Red Set Hand (Manual Adjustment)	N/A	N/A	N/A	N/A	✓	N/A	N/A	N/A	N/A	N/A	N/A	N/A	N/A	N/A	N/A	N/A
-EC	Electrical Contacts	N/A	N/A	✓	N/A	✓	N/A	N/A	N/A	N/A	N/A	N/A	N/A	N/A	N/A	N/A	N/A
<b>DIAL OPTIONS</b>																	
-CL	Custom Logo Dial	✓	✓	✓	✓	✓	✓	MQ	MQ	✓	MQ	MQ	MQ	✓	✓	✓	✓
-HV	Hi-Vis Dial	✓	✓	✓	✓	✓	✓	N/A	N/A	✓	N/A	N/A	N/A	✓	✓	✓	N/A
-CB	Color Band	✓	✓	✓	✓	✓	✓	MQ	MQ	✓	MQ	MQ	MQ	✓	✓	✓	N/A
-CP	Color Pie	✓	✓	✓	✓	✓	✓	MQ	MQ	✓	MQ	MQ	MQ	✓	✓	✓	N/A
-DM	Dial Marking	✓	✓	✓	✓	✓	✓	MQ	MQ	✓	MQ	MQ	✓	✓	✓	✓	✓
-LP	Removable Lens Protector	N/A	N/A	N/A	N/A	✓	✓	✓	N/A	N/A	N/A	N/A	N/A	N/A	N/A	N/A	N/A
<b>CALIBRATION OPTIONS</b>																	
-R1	Upgrade to 1% FS Accuracy	✓	✓	STD	STD	N/A	N/A	N/A	N/A	N/A	✓	N/A	N/A	N/A	N/A	N/A	N/A
-R2	Upgrade to 0.5% FS Accuracy	N/A	N/A	✓	✓	STD	STD	STD	N/A	N/A	N/A	N/A	N/A	N/A	N/A	N/A	N/A
-R5	Upgrade to 1.5% FS Accuracy	✓	✓	N/A	N/A	N/A	N/A	N/A	N/A	N/A	N/A	N/A	N/A	✓	✓	✓	N/A
-C1	1pt. NIST Calibration Cert	✓	✓	✓	✓	✓	✓	✓	✓	✓	✓	✓	✓	✓	✓	✓	N/A
-C3	3pt. NIST Calibration Cert	✓	✓	✓	✓	✓	✓	✓	✓	✓	✓	✓	✓	✓	✓	✓	N/A
-C5	5pt. NIST Calibration Cert	✓	✓	✓	✓	✓	✓	✓	✓	✓	✓	✓	✓	✓	✓	✓	N/A
-CX	10pt. NIST Calibration Cert	✓	✓	✓	✓	✓	✓	✓	✓	✓	✓	✓	✓	✓	✓	✓	STD
-CS	Calibration Sticker (No logged pts.)	✓	✓	✓	✓	✓	✓	✓	✓	✓	✓	✓	✓	✓	✓	✓	N/A
<b>TAG OPTION</b>																	
-TS	Stainless Steel Tag (1-10 Characters)	✓	✓	✓	✓	✓	✓	✓	✓	✓	✓	✓	✓	✓	✓	✓	✓
-TM	Stainless Steel Tag (11-80 characters)	✓	✓	✓	✓	✓	✓	✓	✓	✓	✓	✓	✓	✓	✓	✓	✓
-TP	Paper Tag	✓	✓	✓	✓	✓	✓	✓	✓	✓	✓	✓	✓	✓	✓	✓	✓
<b>CERTIFICATION OPTIONS</b>																	
-CM	General Material Conformance	✓	✓	✓	✓	✓	✓	✓	✓	✓	✓	✓	✓	✓	✓	✓	✓
-NC	Certificate of NACE Compliance	✓	✓	✓	✓	✓	✓	N/A	N/A	N/A	N/A	N/A	N/A	✓	✓	✓	✓
-PM	Positive Material Identification Certificate (PMI)	✓	✓	✓	✓	✓	✓	✓	✓	✓	✓	✓	✓	✓	✓	✓	✓
-HT	Hydrostatic Test per ASME B31.3 (5 min)	✓	✓	✓	✓	✓	✓	✓	✓	✓	✓	✓	✓	✓	✓	✓	✓
-LC	Argon Leak Check Certificate	✓	✓	✓	✓	✓	✓	✓	✓	✓	✓	✓	✓	✓	✓	✓	✓
<b>CLEANING OPTIONS</b>																	
-DG	Degreased - Wiped Clean of Oils, Shipped in Sealed Bag	✓	✓	✓	✓	✓	✓	N/A	N/A	✓	N/A	N/A	✓	✓	✓	✓	✓
-OX	Cleaned for Oxygen Service per ASME B40.1	✓	✓	✓	✓	✓	✓	MQ	MQ	✓	MQ	MQ	✓	✓	✓	✓	✓
-OY	Cleaned for Oxygen Service per MIL-STD-1330D	✓	✓	✓	✓	✓	✓	N/A	N/A	✓	N/A	N/A	✓	✓	✓	✓	✓
<b>OTHER OPTIONS</b>																	
-NR	No Restrictor Screw	✓	✓	✓	✓	✓	✓	✓	N/A	N/A	N/A	N/A	N/A	N/A	N/A	✓	N/A
-FI	Dry Gauge Shipped with Fill Plug Installed	N/A	N/A	N/A	N/A	✓	N/A	N/A	N/A	N/A	N/A	N/A	N/A	N/A	N/A	N/A	N/A

PRESSURE GAUGES

✓	Indicates that the option is available with the model.	N/A	Indicates the option is not available with this model.
STD	Indicates standard options with no additional cost.	MQ	Minimum order quantity applies.

†This option is only available with a plastic lens.